

COEP Technological University

(COEP Tech)

A Unitary Public University of Government of Maharashtra

w.e.f 21st June 2022

(Formerly College of Engineering Pune)

Enquiry Letter

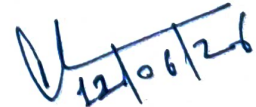
Sealed Quotation are invited by the Department of Metallurgy and Materials Engineering, COEP Technological University, Pune from reputed vendors/reseller/suppliers/service provider for the supply of **graphite crucibles**. Mentioning our Enquiry number, date and due date of quotation on your sealed envelope.

Enquiry Number: -	No. COEP Tech/MET /Enq. /DRDO-ARMREB/NBD-29/ 2026/ 118	
Enquiry Date: -	12/06/2026	
Description & Quantity	Graphite crucibles. Specifications as follows: Cylindrical graphite Crucible with high-density (>1.9 g/cm ³), Engineering drawing attached	Quantity 5
Location: -	Powder metallurgy (Particulate matter) Lab, Department of Metallurgy and Materials Engineering	
Quotation Submission Date@Time: -	within 10 days from the date of issue of the quotation till 6 pm	
Quotation Submission Place	Establishment Section COEP Technological University, Wellesley Rd, Shivajinagar, Pune, Maharashtra 411005.	
Quotation Opening Place	Department of Metallurgy and Materials Engineering COEP Technological University, Wellesley Rd, Shivajinagar, Pune, Maharashtra 411005.	

For any further queries please contact Prof. N.B. Dhokey, Principal Investigator DRDO-ARMREB project, Department of Metallurgy and Materials Engineering. Phone (020 25507804).

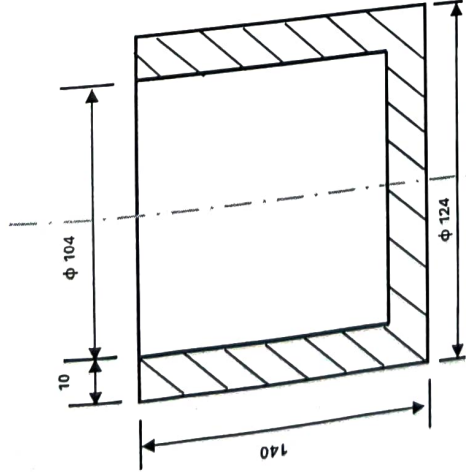
Terms & conditions:

1. Fax and Email quotation are not acceptable.
2. The rates quoted shall be valid for a period of one month from the date of opening.
2. The taxes, packing and forwarding charges, and transport charges if any should be mentioned separately.
4. The 100% payment will be processed after completion of work.
5. Quotation(s) received after last date of quotation submission will be rejected.
6. If you fail to supply within time, material may be purchased at the next higher rate and the difference will be recovered from your bill.
7. The stores shall be checked at this institute, and it will not be liable to pay charges for the Rejected material when returned and replaced.

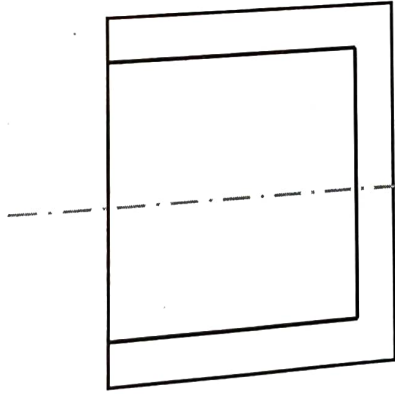

12/06/26

Dr. Manisha Kulthe
(Head of the MME Department)

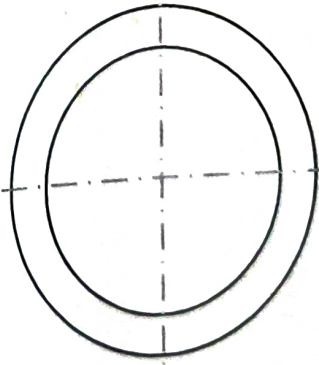
FRONT VIEW



SIDE VIEW



Sr.No.	Description	Material	Qty
1.	Crucible	Graphite (density > 1.9 g/cc)	# 5



TOP VIEW

All dimensions are in mm

COEP Technological
University